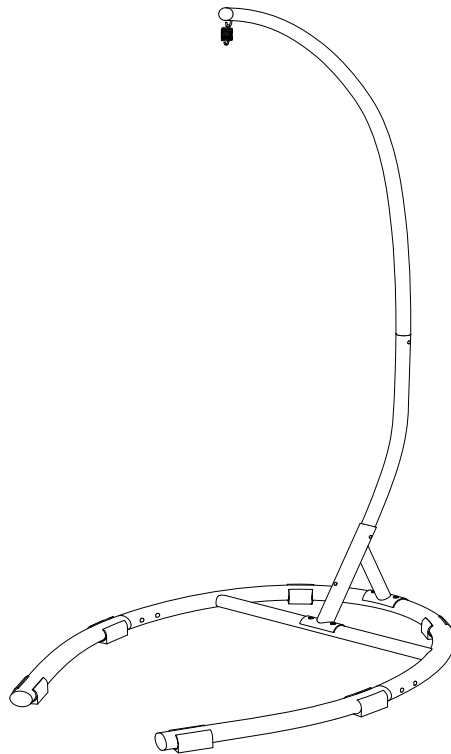
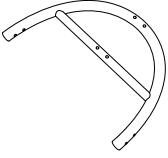
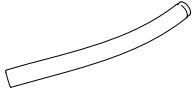
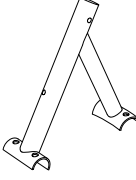

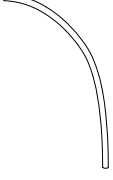






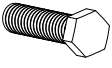
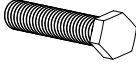
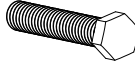



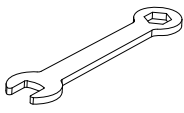
Stand For Egg Chair
CO7271



PART LIST

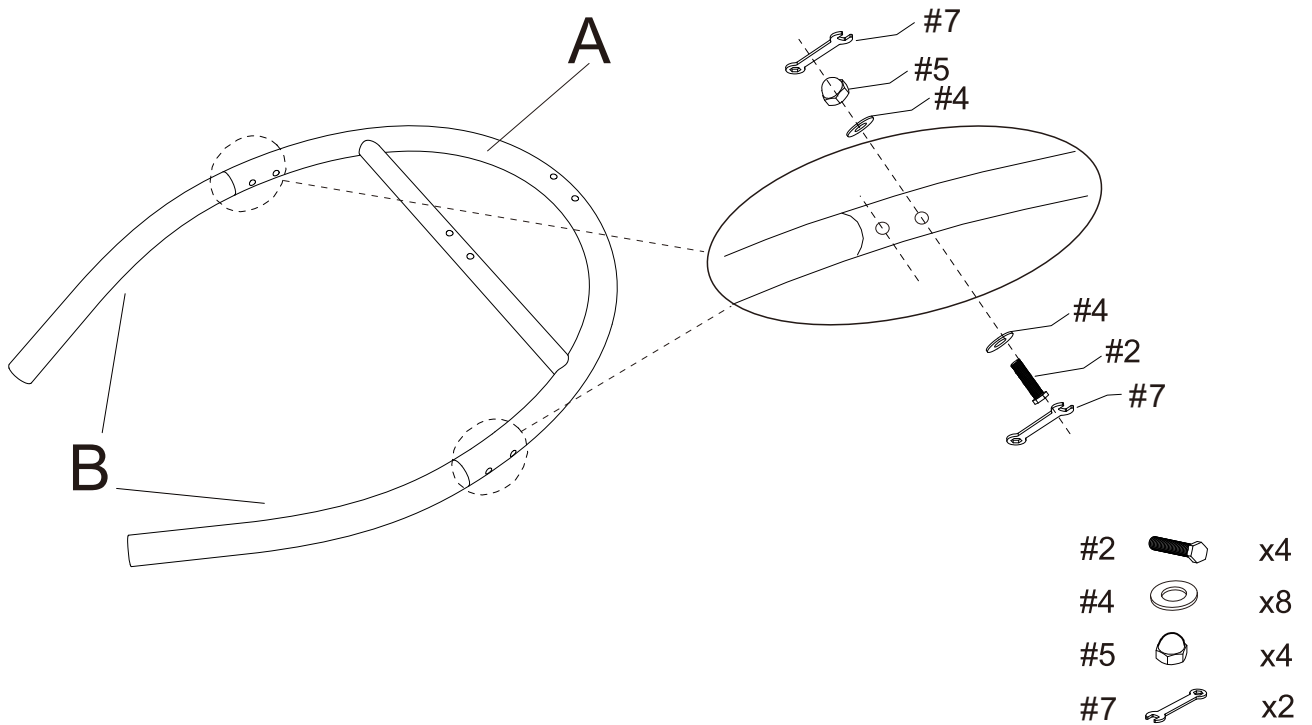
<p>A</p> 	<p>B</p> 	<p>C</p> 	<p>D</p> 	<p>E</p> 
<p>Base 1 PC</p>	<p>Base Tube 2 PCS</p>	<p>Connector 1 PC</p>	<p>Middle Tube 1 PC</p>	<p>Tube 1 PC</p>
<p>F</p> 	<p>G</p> 			
<p>Pin Plug 1 PC</p>	<p>Spring 1 PC</p>			

HARDWARE LIST

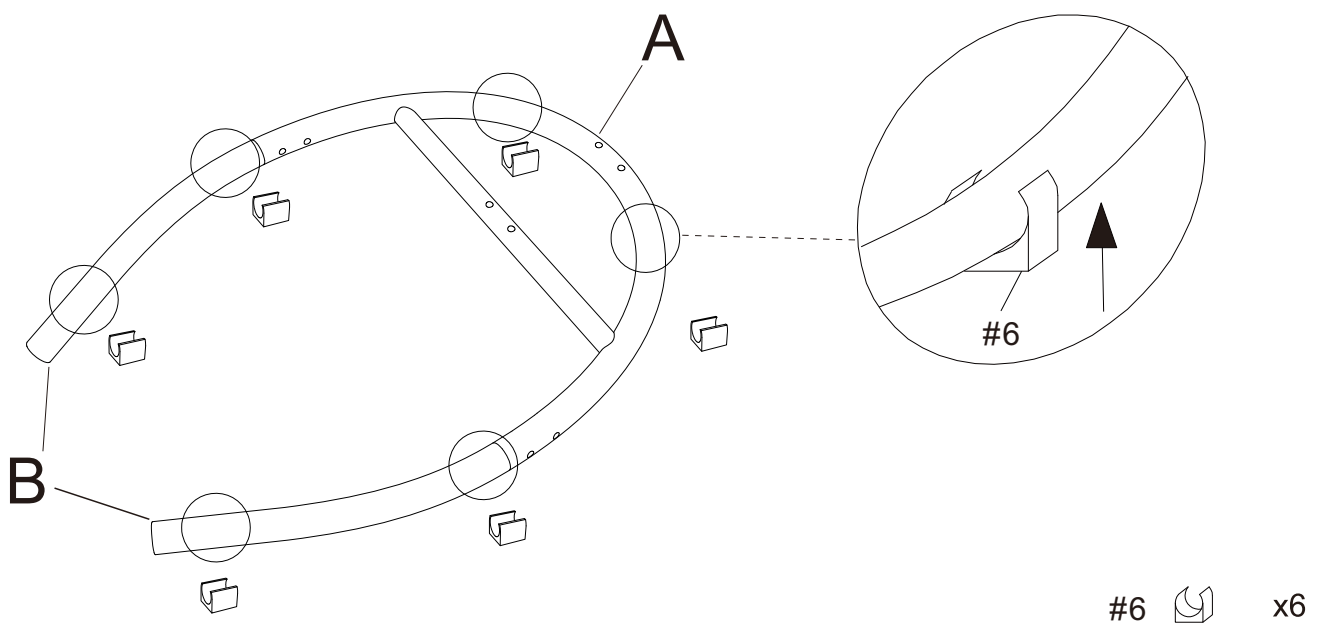
<p>#1</p>  <p>M8*15mm</p>	<p>#2</p>  <p>M8*55mm</p>	<p>#3</p>  <p>M8*65mm</p>	<p>#4</p>  <p>M8mm</p>	<p>#5</p>  <p>M8mm</p>
<p>Short Bolt 5 PCS (Extra 1)</p>	<p>Medium Bolt 4 PCS (Extra 1)</p>	<p>Long Bolt 2 PCS (Extra 1)</p>	<p>Flat Washer 17 PCS (Extra 2)</p>	<p>Nut 6 PCS</p>
<p>#6</p> 	<p>#7</p> 			
<p>Plastic Clip 6 PCS</p>	<p>Wrench 2 PCS</p>			

Step 1. Lay base (part A) down on a soft flat surface, such as carpet, as shown below. Attach base tubes (part B) to base (part A) using medium bolts (part #2), flat washers (part #4), nuts (part #5) and wrenches (part #7).

NOTE: Please fully tighten all bolts at this time.

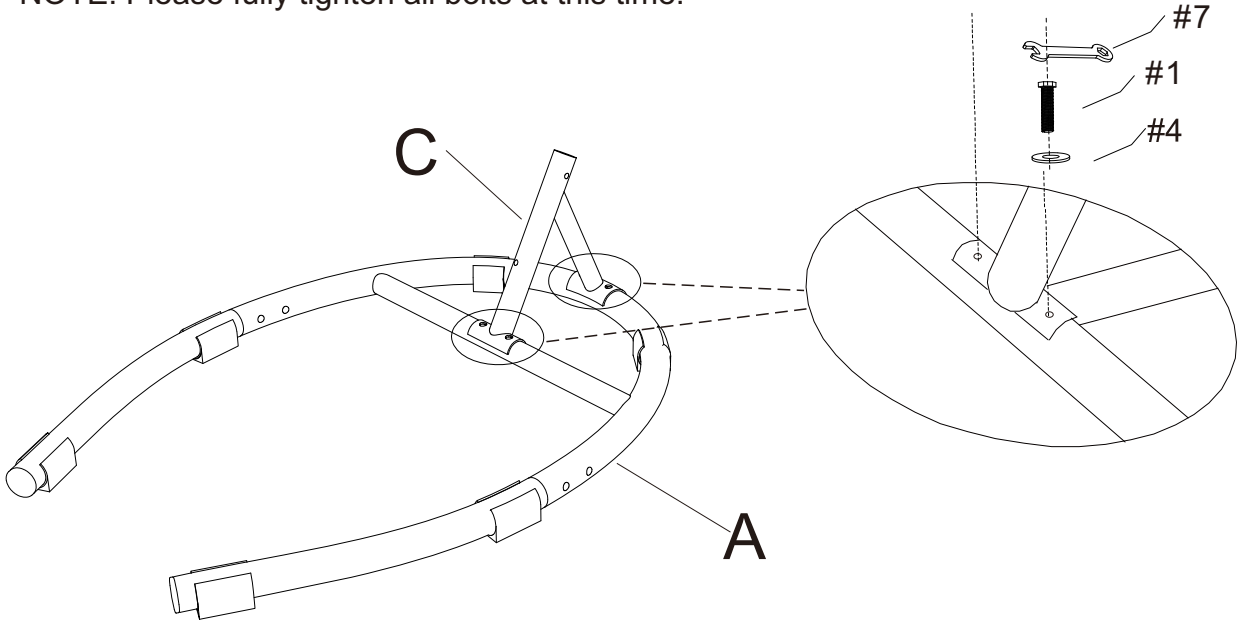





Step 2. Attach plastic clips (part #6) to assembled unit (parts A & B).



Step 3. Attach connector (part C) to base (part A) using short bolts (part #1), flat washers (part #4) and wrench (part #7).

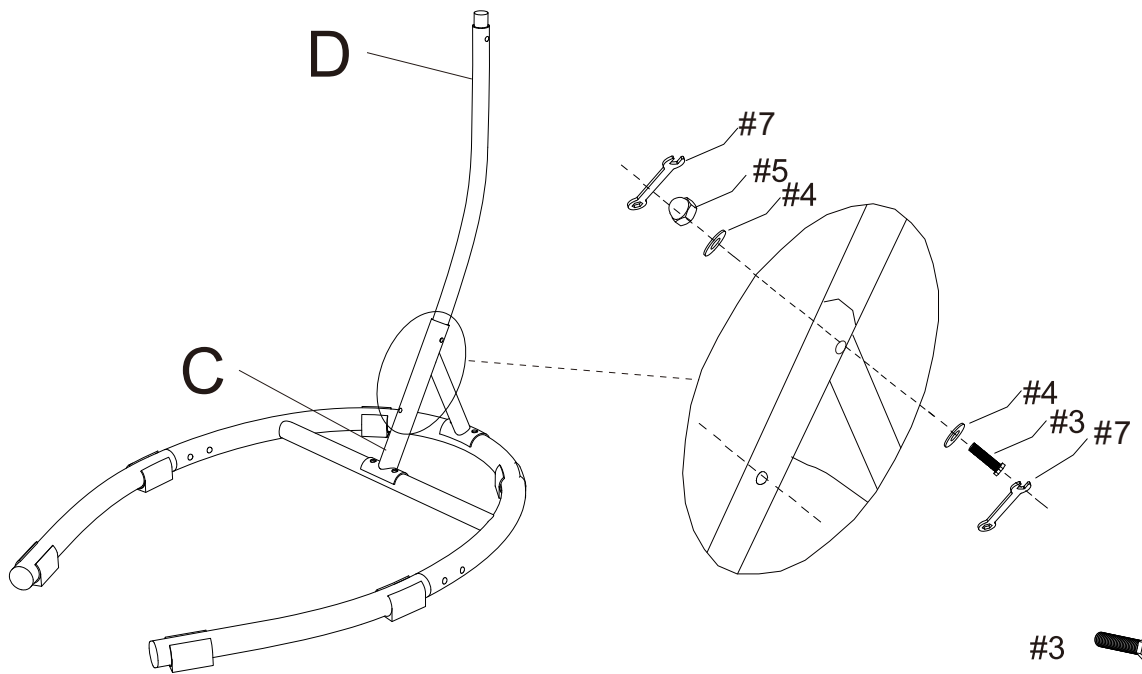
NOTE: Please fully tighten all bolts at this time.







- | | | |
|----|---|----|
| #1 |  | x4 |
| #4 |  | x4 |
| #7 |  | x1 |

Step 4. Attach middle tube (part D) to connector (part C) using long bolts (part #3), flat washers (part #4), nuts (part #5) and wrenches (part #7).

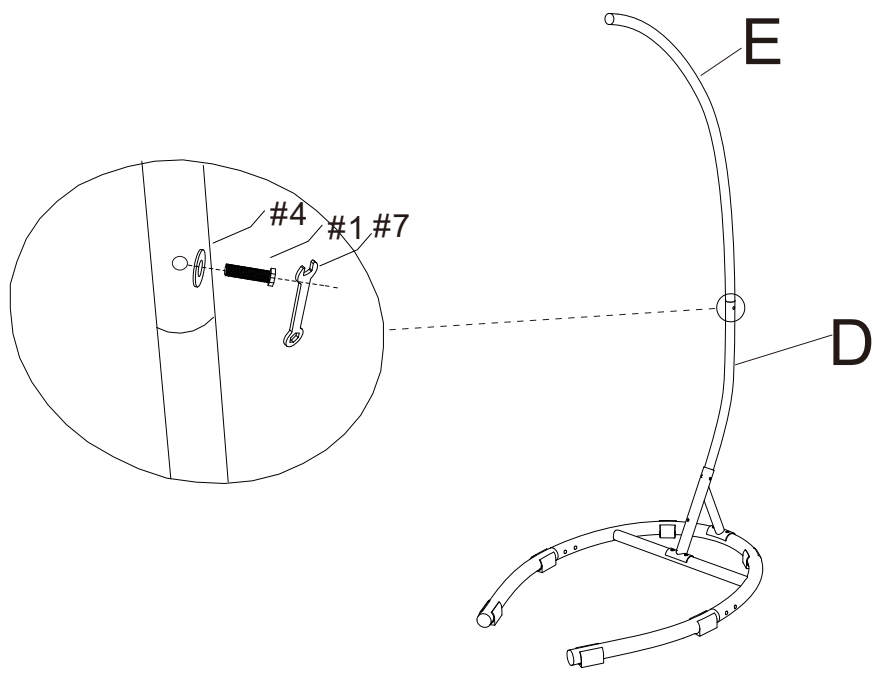
NOTE: Please do not fully tighten bolts until unit is fully assembled.



- | | | |
|----|---|----|
| #3 |  | x2 |
| #4 |  | x4 |
| #5 |  | x2 |
| #7 |  | x2 |

Step 5. Attach tube (part E) to middle tube (part D) using short bolt (part #1), flat washer (part #4) and wrench (part #7).

NOTE: Please fully tighten all bolts at this time.



Step 6. Insert pin plug (part F) into tube (part E). Attach spring (part G) to pin plug (part F).

